

# C/S ACROVYN® DOOR EDGE PROTECTORS

Using C/S Acrovyn® Door Edge Protectors will help reduce damage and expensive repair costs to door edges.

Door Edge Protectors are available for non-fire rated and fire-rated doors and are easy to install to new or existing doors.



- High impact protection channel in through-colour 2mm thick Acrovyn sheet, with an 8mm thick toughened and recycled Acrovyn internal lipping and fire seal to match fire rating of the door
- Available in 30 solid Acrovyn colours
- Differentiates door edges for Approved Document M compliance
- Co-ordinates with Acrovyn® Kick Plates, Push Plates and Door Frame Protection
- Formed to suit radiused or square edged doors
- Available in widths to suit door thicknesses from 44 to 54mm
- Suitable for non fire rated and fire rated doors
- Supplied with fire and smoke seals tested up to 30 minutes and 1 hour to BS 476 part 22 and 31.1
- Easy to install to new and existing doors
- Acrovyn Door Edge Protectors have chamfered edges to provide a safe, smooth return on door face once fitted
- Standard door edge protector length 2200mm

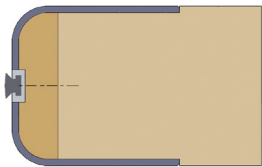


# C/S ACROVYN® DOOR EDGE PROTECTORS

## INSTALLATION

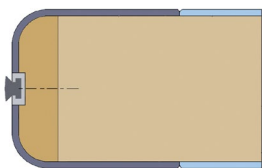
1.

a - Acrovyn® Door Edge Protector on existing door.



Reduce door width and thickness on either side of the door to accommodate the Door Edge Protector

b - Acrovyn® Door Edge Protector and Kick Plates on new or existing door.

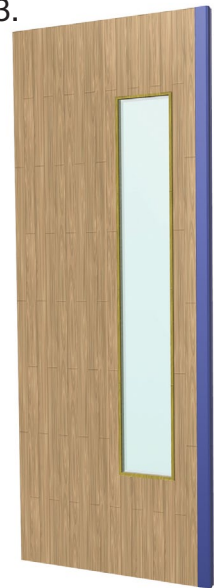


Flush finished door protector and plates

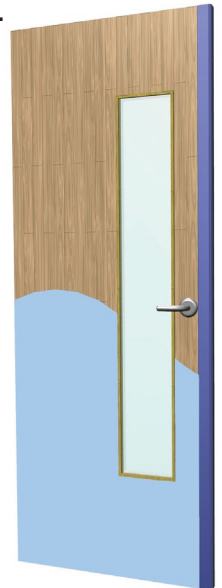
2.



3.



4.

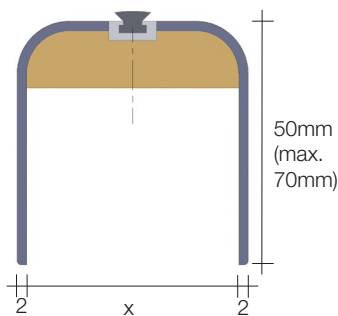
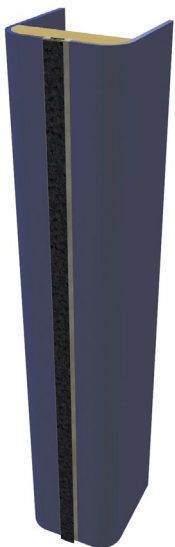


### 1. DOOR PREPARATION

Remove door from door frame and remove ironmongery on door edges to be protected. Reduce door width and thickness as appropriate to accommodate Acrovyn® Door Edge Protectors and any Acrovyn® Kick Plates or Push Plates required (refer to drawing 1a. or 1b. above).

2. Cut Door Edge Protector to suit height of door, then align to door to mark and cut out for ironmongery. Cut as required. Position Door Edge Protector over door edge and using countersunk screws, fix the edge protector into place through the recess groove in the edge protector.
3. Remove the backing tape from the intumescent strip and insert into the recess groove. Press firmly.
4. Re-hang the door, re-fit the ironmongery and fit new Acrovyn® Kick Plates or Push Plates as required.

## HOW TO ORDER



Please note the thickness of Acrovyn Sheet should be taken into account in your calculation of the Door Edge Protector width (please supply the internal dimension 'x').

The following details are required to enable us to process your order for Acrovyn® Door Edge Protectors:

No. required	
Acrovyn colour reference	
Fire rating - 30min., 60min. or NFR	
Length of Door Edge Protector (max. 2200mm)	
Internal width of Door Edge Protector ('x')	
Leg length 'y' (50mm as standard, max. 70mm)	
Radius or square edge	

Please also include delivery and invoice addresses and contact name and number.