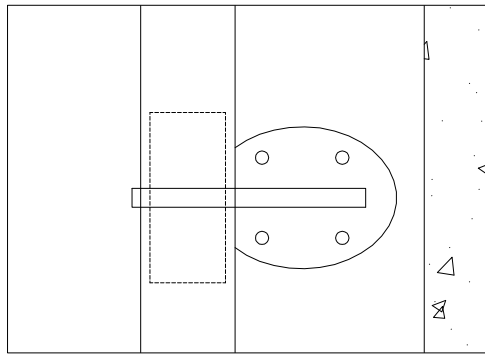
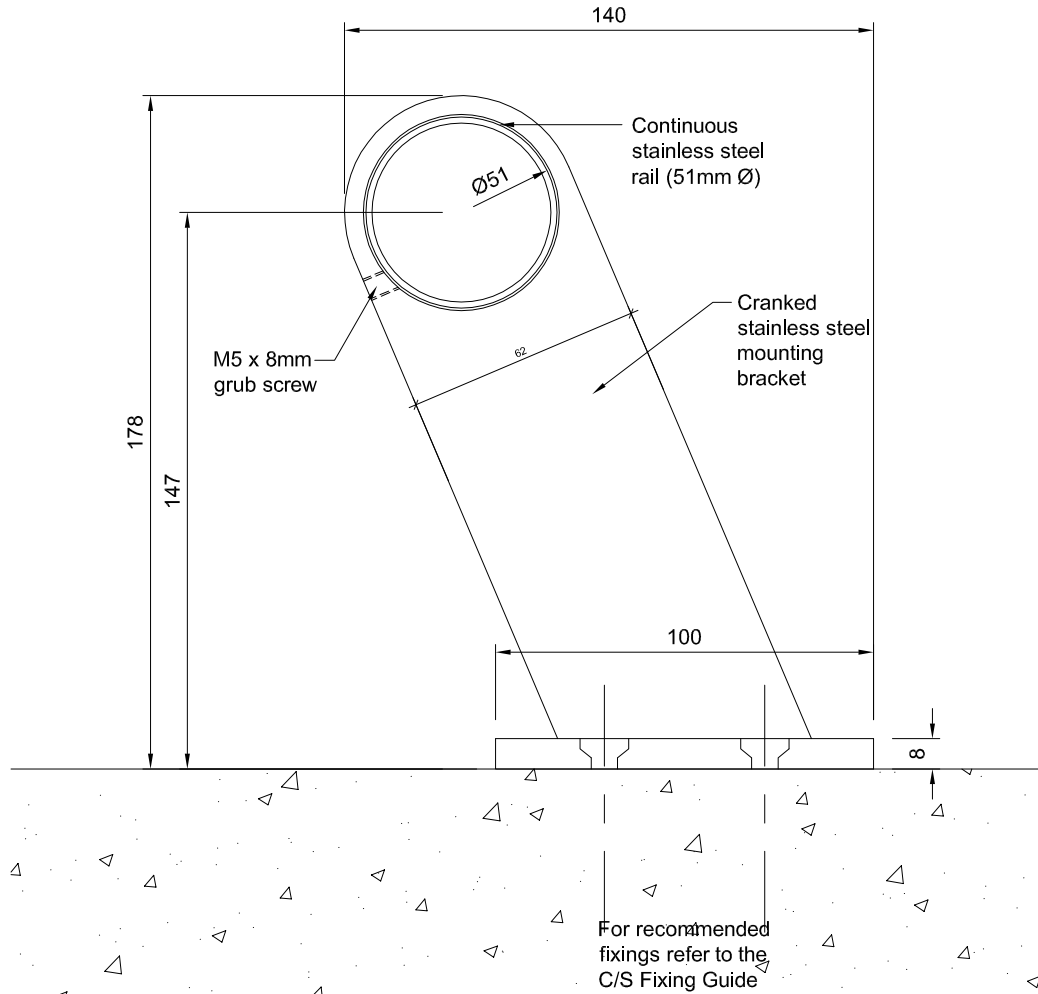


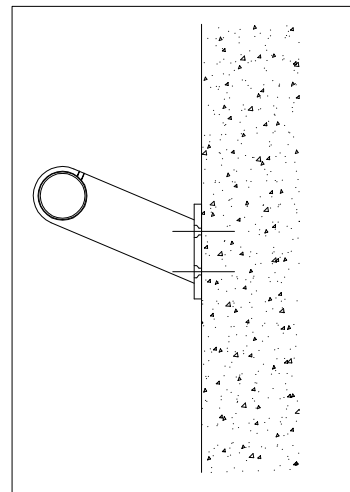
This drawing/specification is the property of Construction Specialties (UK) Ltd and may not be reproduced in full or part or disclosed to any third party in any form without the written permission of Construction Specialties (UK) Ltd. © Copyright 2008 Construction Specialties (UK) Ltd.

# LLRSS - Low Level Crashrail

Data Sheet:  
December 2008



**Top View - Floor Mounted**



**Wall Mounting Option**

**Rail, bracket, end cap  
& corner material**  
Grade 304 stainless  
steel as standard  
(grade 316 to special  
order)

**Rail, bracket, end cap  
& corner finish**  
All components to be  
satin polished as  
standard



**SEVERE DUTY**

**C/S Acrovyn®**  
Wall, Door and Corner Protection

Not to scale

All dimensions in millimetres unless otherwise stated.  
Do not scale from the drawing. If in doubt ask



**Construction Specialties™**

**Construction Specialties (UK) Ltd**  
1010 Westcott Venture Park  
Westcott, Aylesbury  
Buckinghamshire HP18 0XB  
England

Tel: +44 (0)1296 652800  
Fax: +44 (0)1296 652888

e-mail: [info@c-sgroup.co.uk](mailto:info@c-sgroup.co.uk)  
Internet: [www.c-sgroup.co.uk](http://www.c-sgroup.co.uk)