

# COVER STRIPS

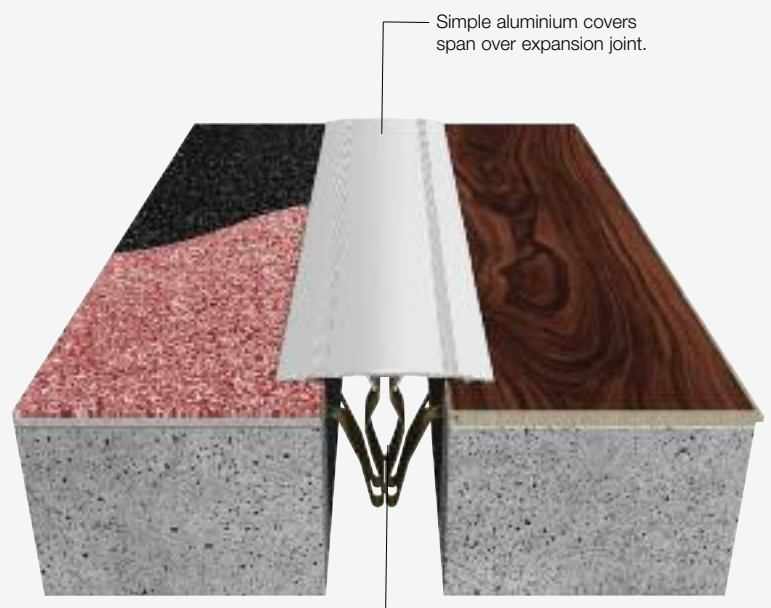
JOINTS TO 100MM – MOVEMENT UP TO +65MM AND -100MM



Topshop, Westfield Shopping Centre, London

- Surface mounted rigid cover strips and plates
- Quick and easy installation
- Interior applications
- Ideal for retrofit situations

## How it works




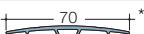

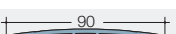
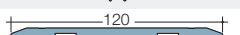

Simple aluminium covers span over expansion joint.

Aluminium clips hold the cover in position during the movement cycle.

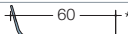
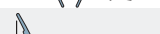
## W series – Standard duty

Easy to install system of rigid strips for covering floor joints. Aluminium, brass and stainless steel options available. Strips are supplied in 3m lengths with all the necessary fastening accessories.

### Floor to floor covers

Model	Joint width (mm)			Movement ± (mm)			Aluminium	Stainless steel	Fixing method
	Clip 15-35	Clip 35-85	Screw fixing	Clip 15-35	Clip 35-85	Screw fixing			
W50	25	-	-	±10	-	-		-	Clips
W70	25	-	-	±10	-	-			Clips
W90	25	50	-	±10	+25/-35	-		-	Clips
W120	25	50	-	±10	±35	-		-	Clips
W160	-	-	50	-	-	±50		-	Screws

### Floor to wall covers

Model	Joint width (mm)		Movement ± (mm)		Aluminium	Stainless steel	Fixing method
	Clip 15-35	Clip 35-85	Clip 15-35	Clip 35-85			
W70A	30	-	±10	-		-	Clips
W90A	-	50	-	±15		-	Clips

\* Brass versions available

### Colours and finishes

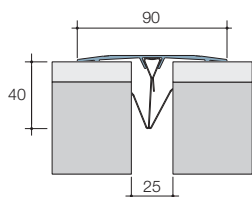
Aluminium strips are clear anodised as standard (powder coated upon request). Brass strips are supplied in polished brass, and stainless steel covers are satin polished as standard.

### Load capability

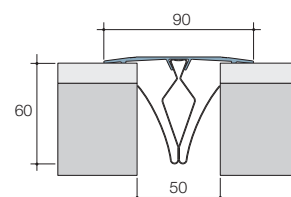
250kg point load.

### Complementary wall/ceiling joint covers

W series p.32



W90 cover over 25mm joint






W90 cover over 50mm joint




## PC series – Standard duty

Simple aluminium cover plates surface mounted over floor finishes.

### Floor to floor covers

Model	Joint width (mm)	Exposed surface (mm)	Movement ± (mm)		
					
PC-100	25	95	±25	±2	∞
PC-200	50	133	+40/-50	±2	∞
PC-300	75	171	+50/-75	±2	∞
PC-400	100	210	+65/-100	±2	∞

### Floor to floor covers

Model	Joint width (mm)	Exposed surface (mm)	Movement ± (mm)		
					
PCW-100	25	57	±25	±2	∞
PCW-200	50	95	+40/-50	±2	∞
PCW-300	75	133	+50/-75	±2	∞
PCW-400	100	171	+65/-100	±2	∞

### Colours and finishes

Aluminium cover plates are supplied in clear anodised finish as standard. Stainless steel options can be offered upon request.

### Accessories

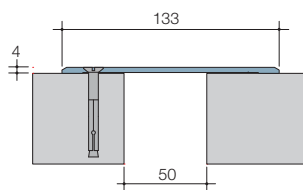
Optional Fire Barriers, Moisture Barriers and Acoustic Barriers, see p.44-45 for details.

### Load capability

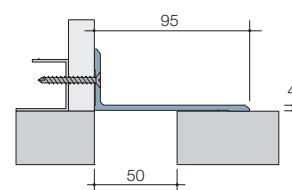
250kg point load.

### Complementary wall/ceiling joint covers

SMN(C) series p.31



PC-200



PCW-200