

C/S Allway® Expansion Joint Covers

Parking Joints and Elastomeric Seals

C/S Group offers a complete line of expansion joint covers that meet the demanding movement conditions found in parking structures.

CSS

Series of compressions seals complete with extruded aluminium support frames

ZB

One-piece EPDM compression seal with integral nosing that zips instantaneously into concrete blockouts once the epoxy bed is applied. The system is fast, neat and installs over green concrete.

KB

Series of joint covers featuring the patented turnbar housing which reduces lateral load damage. Special design of the centre plate offers maximum strength yet minimal interference with pedestrians.

KBW

Floor to wall version of KB

PTC

The design of this joint cover allows for significant deflection of the adjacent floor slabs and a variable rotation damper system prevents the cover plate from "flapping" noisily under traffic loads. The centre plate is fully interchangeable.

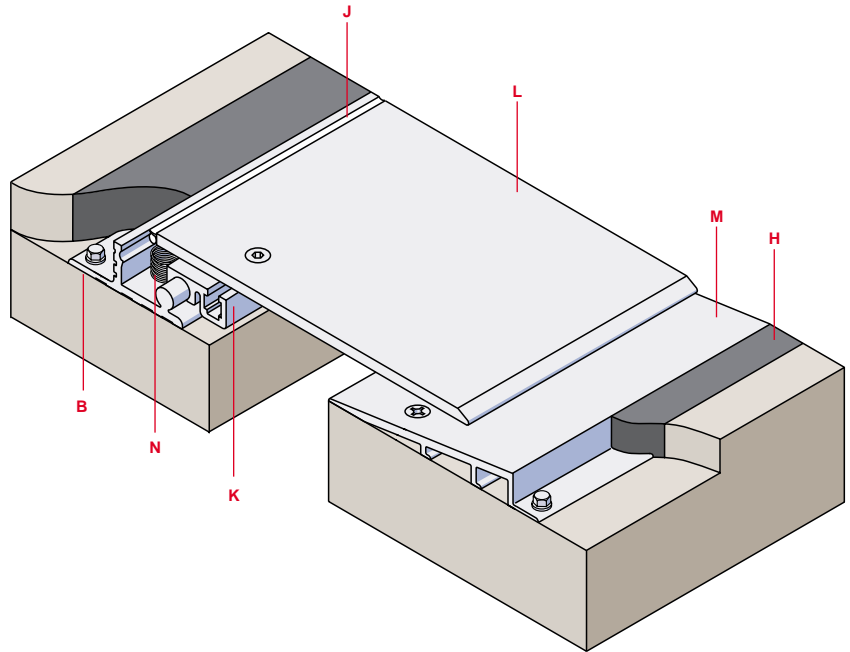
PTCW

The floor to wall version of PTC

Colours

Compression seals typically black. Other colours available subject to minimum quantity. Aluminium sections are mill finished as standard. PTC model – centre plate mill finished aluminium as standard, steel option available.

PTC-600. Large Span Parking floor-to-floor joint cover.



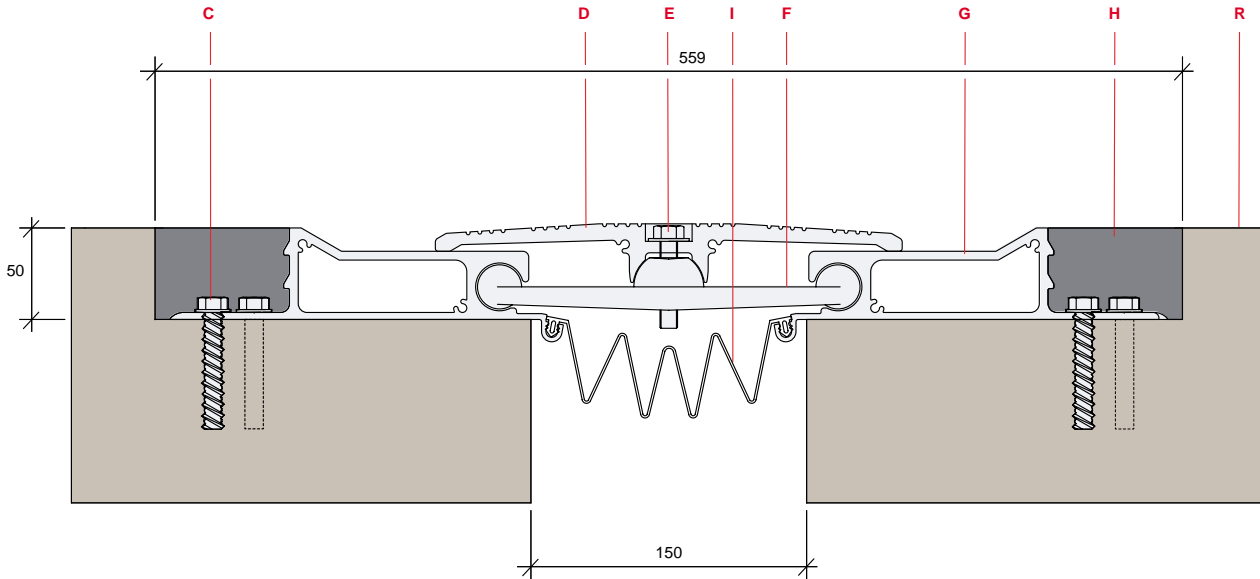
Product Data

Model	Number	Joint Width (mm)	Exposed Surface (mm)	Thermal Movement Capacity ±(mm)		
				Horizontal	Vertical	Lateral
CSS	100	25.0	35.0	±10.0	±3.0	0
	150	37.5	48.0	±12.0	±3.0	0
	200	50.0	61.0	±14.0	±3.0	0
ZB	200	50.0	229.0	±25.0	0	0
	300	75.0	254.0	±38.0	0	0
	400	100.0	278.0	±50.0	0	0
KB	400	100.0	432.0	±50.0	±6.0	±50.0
	500	125.0	533.0	±63.0	±9.0	±63.0
	600	150.0	559.0	±75.0	±12.0	±75.0
	700	175.0	635.0	±87.0	±15.0	±87.0
	800	200.0	660.0	±100.0	±18.0	±100.0
KBW	400	100.0	267.0	±25.0	±3.0	±25.0
	500	125.0	330.0	±32.0	±4.0	±32.0
	600	150.0	356.0	±38.0	±6.0	±38.0
	700	175.0	406.0	±44.0	±7.0	±44.0
PTC*	600	200.0	432.0	±50.0	±9.0	±50.0
	600	150.0	620.0	±50.0	±19.0	±50.0
	700	175.0	648.0	±50.0	±19.0	±50.0
	800	200.0	673.0	±50.0	±19.0	±50.0
	900	225.0	699.0	±50.0	±19.0	±50.0
PTCW*	1000	250.0	749.0	±50.0	±19.0	±50.0
	600	150.0	426.0	±25.0	±19.0	±25.0
	700	175.0	451.0	±25.0	±19.0	±25.0
	800	200.0	476.0	±25.0	±19.0	±25.0
	900	225.0	502.0	±25.0	±19.0	±25.0
1000	250.0	553.0	±25.0	±19.0	±25.0	

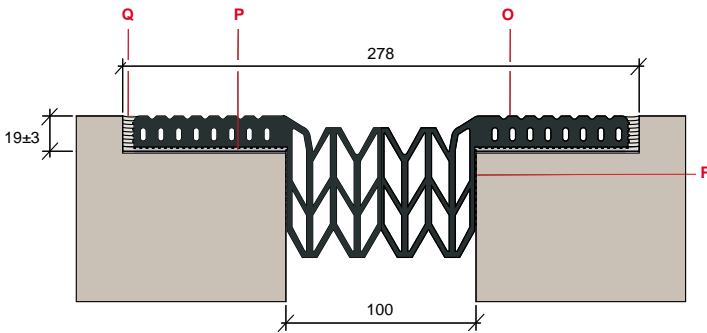
KB(W) and PTC(W) models can be used in seismic areas.

* Larger sizes available. For details contact our Technical Department on 01296 611000

KB-600. Large Span Parking floor-to-floor joint cover.



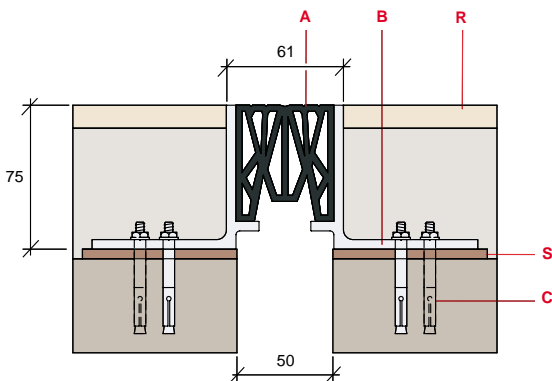
ZB-400. Exterior floor-to-floor joint cover.



Key for diagrams

- A. Extruded EPDM compression seal
- B. Continuous extruded aluminium side frame (mill finished)
- C. Fixing to suit substrate (by others), please refer to Product Data Sheet
- D. Continuous extruded aluminium centre plate (mill finished)
- E. Cap Screw and washer
- F. Cast aluminium turnbar
- G. Continuous extruded aluminium frame
- H. C/S elastomeric concrete
- I. Water stop
- J. Backer rod and sealant
- K. Continuous extruded aluminium rotational frame
- L. Aluminium or steel centre plate
- M. Continuous extruded aluminium ramped frame
- N. Compression spring
- O. Zip Block seal
- P. Epoxy
- Q. Caulk
- R. Floor finish
- S. Non shrink self levelling bedding compound (by others)

CSS-200. Exterior floor-to-floor joint cover.



Specification Style

Supply and install 25 meters C/S Allway Large Span Parking floor to floor joint cover, model ref: PTC-600.

Optional clauses:

i) Multiflex Fire Barrier, to suit 150mm joint width and providing minimum 2 hours integrity and insulation when installed in accordance with manufacturer's instructions.

ii) Vapour Barrier/Water Stop to suit 150mm joint width.

All manufactured and supplied by Construction Specialties (UK) Ltd, Conspec House, St Andrews Way, Bicester Road, Aylesbury, Bucks HP19 8AF Tel: 01296 611000