

# C/S Allway® Expansion Joint Covers

## Plugging Sections for Walls (Interior/Exterior Joints to 66mm)

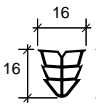
JD series of flexible wall plugging sections is made of extruded synthetic rubber and is suitable for both interior and exterior applications.

### Colours

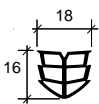
Black as standard, models JD16-JD42 also available in Grey and Sand.

### Product Range

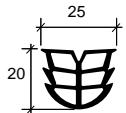
#### JD-16



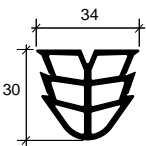
#### JD-18



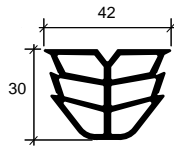
#### JD-25



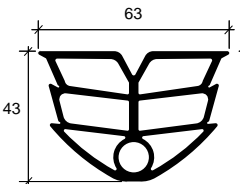
#### JD-34



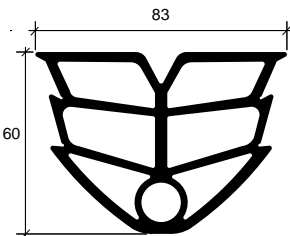
#### JD-42



#### JD-63



#### JD-83

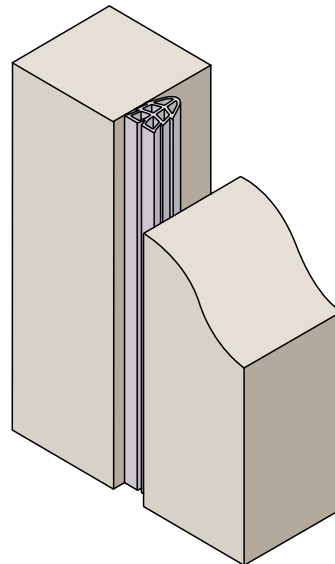


### Specification style

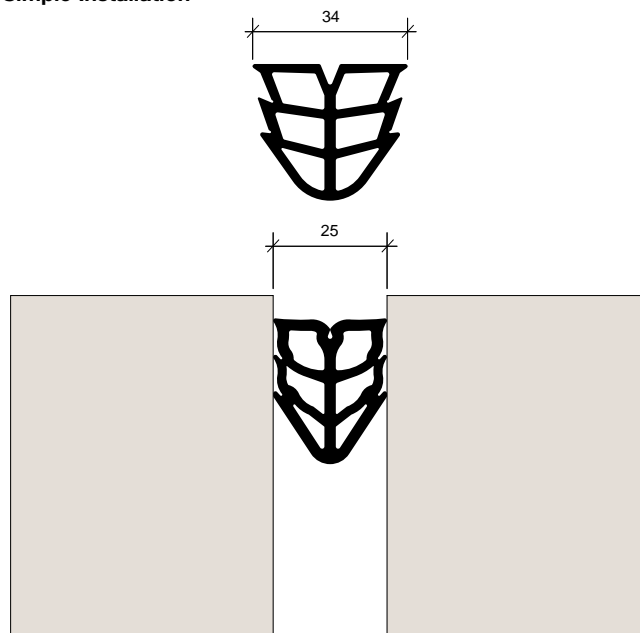
Supply and install 120 metres of C/S Allway wall plugging sections, model ref: JD-25 in Black.

All manufactured and supplied by Construction Specialties (UK) Ltd, Conspec House, St Andrews Way, Bicester Road, Aylesbury, Bucks HP19 8AF.  
Tel: 01296 611000

### Typical Application.



### Simple Installation



### Product Data

Model	Joint Width (mm)	Horizontal movement capacity ±(mm)	Minimum Joint Depth (mm)	Packaging (m)
JD-16	10.0	±2.0	25.0	50.0
JD-18	13.0	±2.0	25.0	50.0
JD-25	18.0	±3.0	30.0	50.0
JD-34	25.0	±3.0	40.0	25.0
JD-42	30.0	±4.0	45.0	25.0
JD-63	50.0	±5.0	70.0	25.0
JD-83	66.0	±6.0	90.0	25.0

# C/S Allway® Expansion Joint Covers

## Rigid Joint Strips for Walls and Floors (Interior Joints to 100mm)

W series of rigid strips is an attractive and easy-to-fix system for covering wall and floor joints.

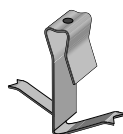
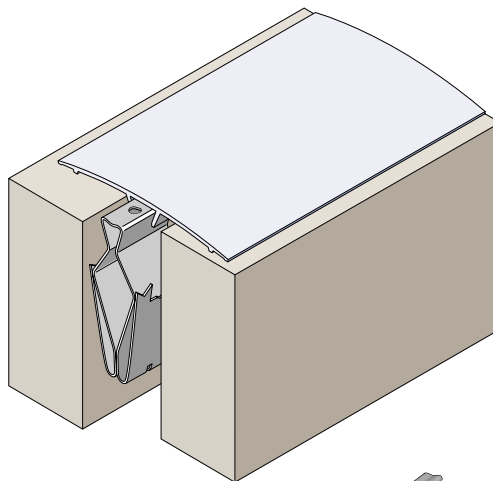
Rigid strips are available in:

- Aluminium Alloy 6060 T5; clear anodised as standard (powder-coated upon request)
- PVC: compound suitable for outside use.  
Available colours: White, Grey, Sand and Brown.
- Brass: CuZn40Pb 1 Al alloy, polished.

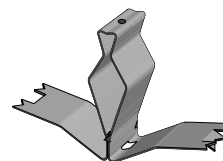
Joint strips are supplied in 3 metre unit lengths as standard with all the necessary fastening accessories.

Fastening using stainless steel clips, with an exception of models W120, W140 and W160, which should be fixed with screws and plugs.

### Rigid Joint Strip



Clip 15-35 for joints 15 to 35mm wide with minimum depth of 40mm



Clip 35-80 for joints 35 to 80mm wide with minimum depth of 60mm

Application	Joint Width Range (mm) min-max	Model	Aluminium	PVC
Flat Wall	up to 15.0	W30		
Flat Wall	15.0-35.0	W5		
Flat Wall or Floor	35.0-50.0	W70		
Flat Wall or Floor	35.0-70.0	W90		
Flat Wall or Floor	35.0-80.0	W120		
Flat Wall	35.0-100.0	W140		
Flat Floor	35.0-80.0	W160		
Corner Wall	15.0-30.0	W50A		
Corner Wall or Corner Floor	35.0-45.0	W70A		
Corner Wall or Corner Floor	40.0-60.0	W90A		

\* Brass versions available

\*\* Suitable for corner wall applications only