

C/S GRIDLINE™ AND GRIDLINE PLUS™

C/S Gridline is available in two options:

Standard Gridline™ is constructed from hard wearing grade 304 stainless steel and provides years of durable service while maintaining its great aesthetic look. The wedge shaped scraper profile is highly effective at cleaning debris from shoes and wheeled traffic. C/S Gridline™ is heel, wheelchair and walking aid friendly.

Gridline Plus™ combines a larger version of the wedge scrapers used in the standard Gridline™ with interior grade carpet inserts. This mat offers exceptional moisture and dirt removal/containment, with the elegance and durability of stainless steel.



Liverpool One Information Centre, Liverpool

Gridline features

- Recess or surface mounted options
- Profile depths – 11mm or 17mm
- 250kgs/wheel rolling load capacity
- Good moisture and dirt removal/containment
- Brush satin finish and acid cleaned as standard
- Optional black underside available for aesthetic enhancement

Gridline Plus features

- Recess or surface mounted options
- Profile depth – 17mm
- 250kgs/wheel rolling load capacity
- Excellent moisture and dirt removal/containment
- Utilises interior grade carpet inserts (see p23 for colour options)
- Field changeable inserts without the use of specialist tools for low lifecycle costs
- C/S Pedijet logo system option for interior grade carpet tread applications (see p25)
- Brush satin finish and acid cleaned as standard

Example specification (NBS)

N10 General fixtures/Furnishings/Equipment 300 Entrance Matting

Manufacturer: Construction Specialties (UK) Ltd, 1010 Westcott Venture Park, Westcott, Bucks HP18 0XB

Tel: +44 (0)1296 652800 Fax: +44 (0)1296 652888

Product reference: C/S Gridline 17mm deep stainless steel system, complete with 20mm aluminium frame for recess mounting

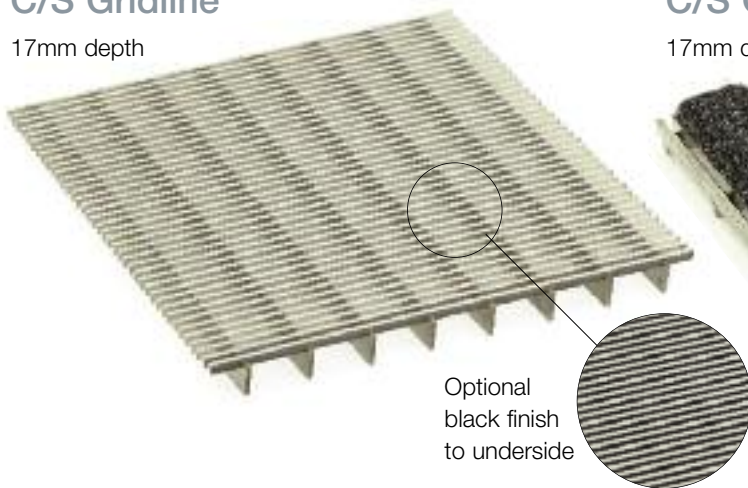
Finish: stainless steel: brush satin, aluminium frames: mill finish

Matwell size: 3500 mm x 3500 mm in traffic direction

Mat size: to suit matwell

C/S Gridline

17mm depth



C/S Gridline Plus

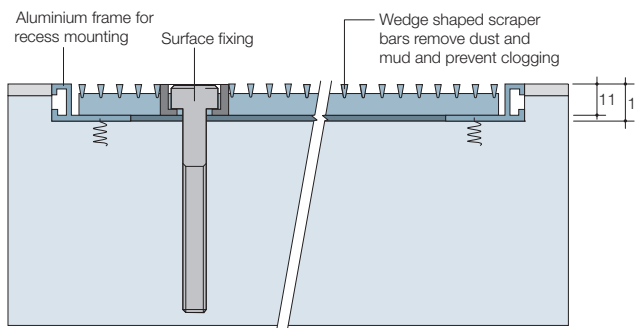
17mm depth



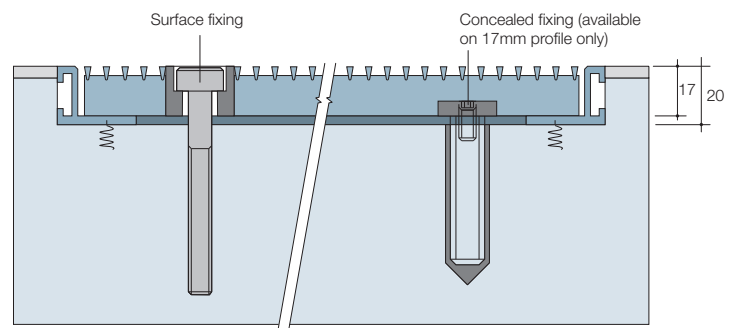
Optional black finish to underside

Typical sectional detail

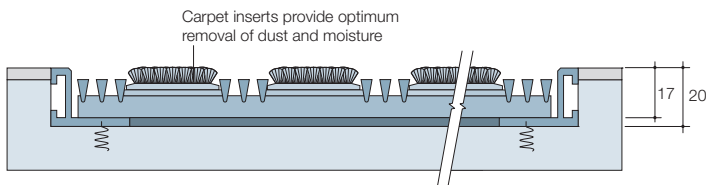
Gridline 11mm depth



Gridline 17mm depth



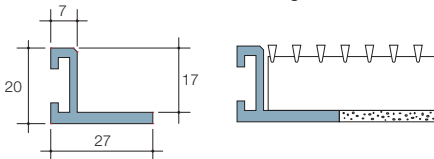
Gridline Plus 17mm depth



Aluminium frame options

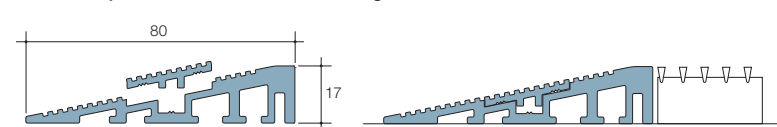
17mm deep systems

20mm Frame for recess mounting



Materials: Aluminium in mill finish or black anodised

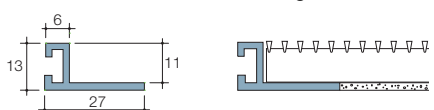
17mm Ramped frame for surface mounting



Materials: Aluminium in mill finish, black or clear anodised

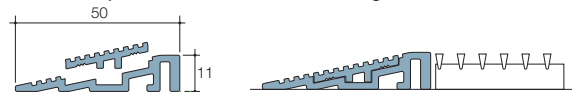
11mm deep systems

13mm Frame for recess mounting



Materials: Aluminium in mill finish or black anodised

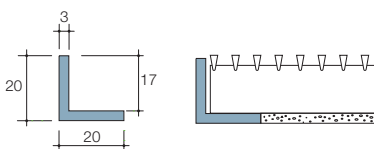
11mm Ramped frame for surface mounting



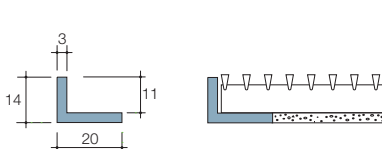
Materials: Aluminium in mill finish, black or clear anodised

Stainless steel frame options

20mm Stainless steel frame for recess mounting



14mm Stainless steel frame for recess mounting



Note: Illustrations not to scale